

FILLER PANELS

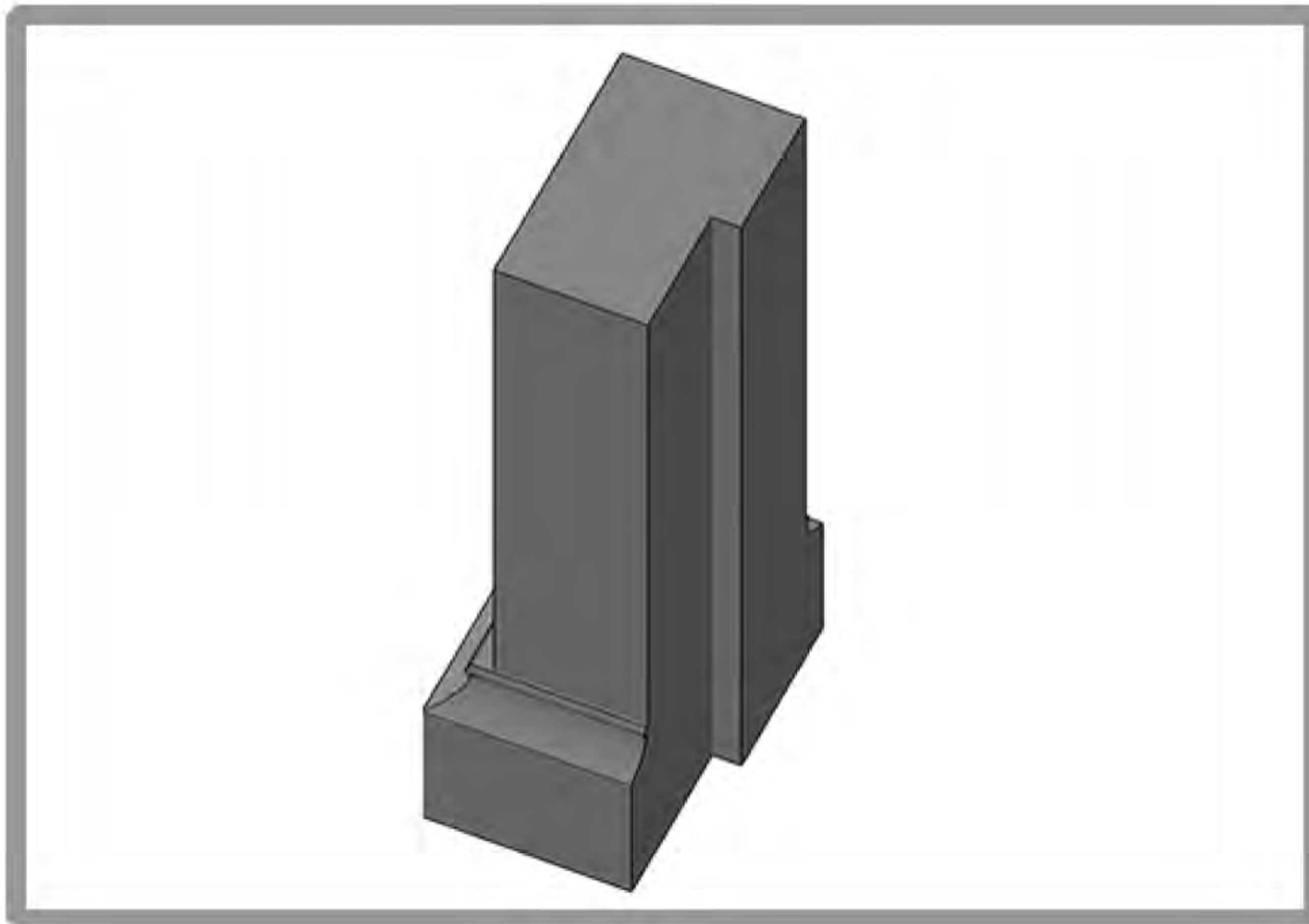
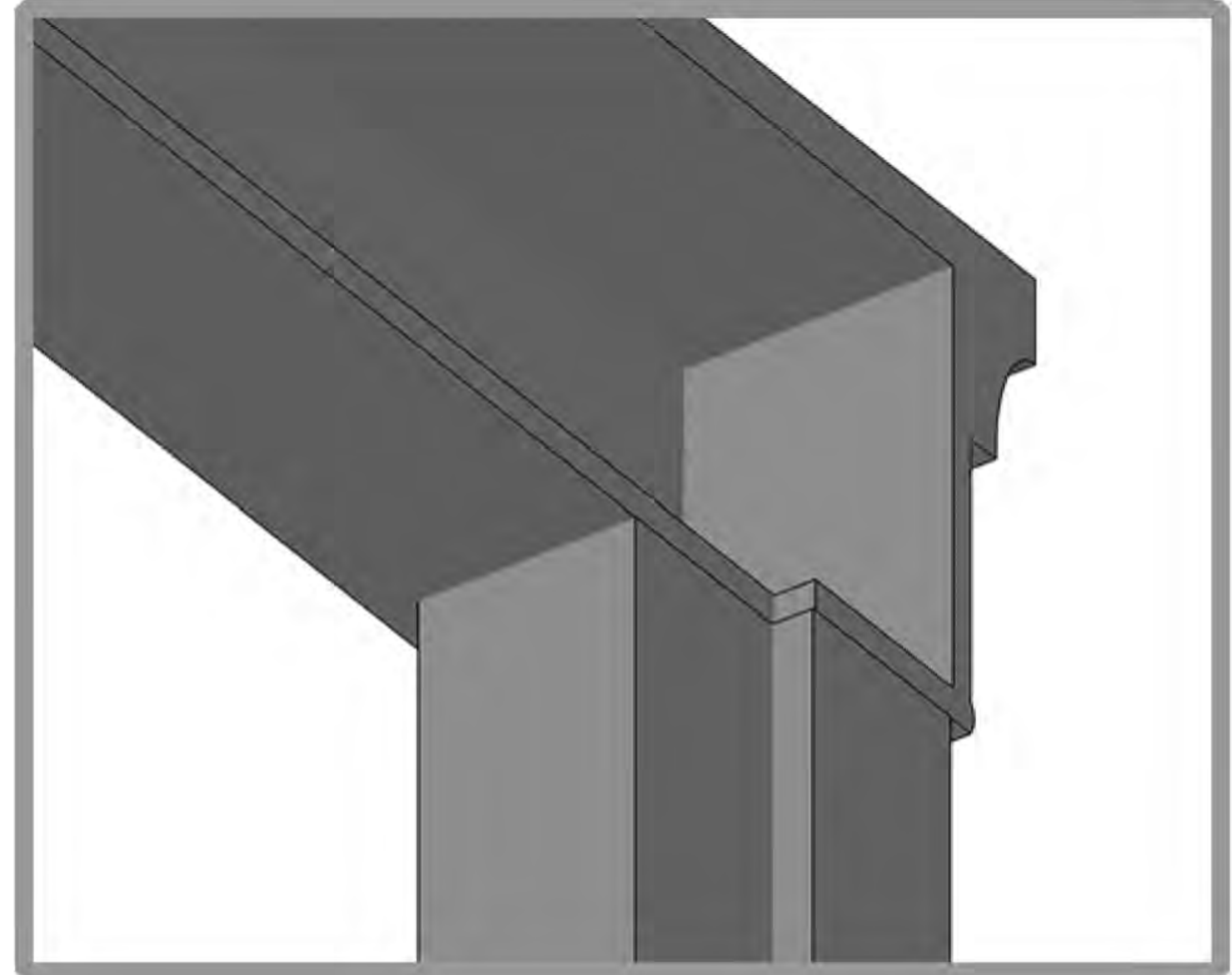
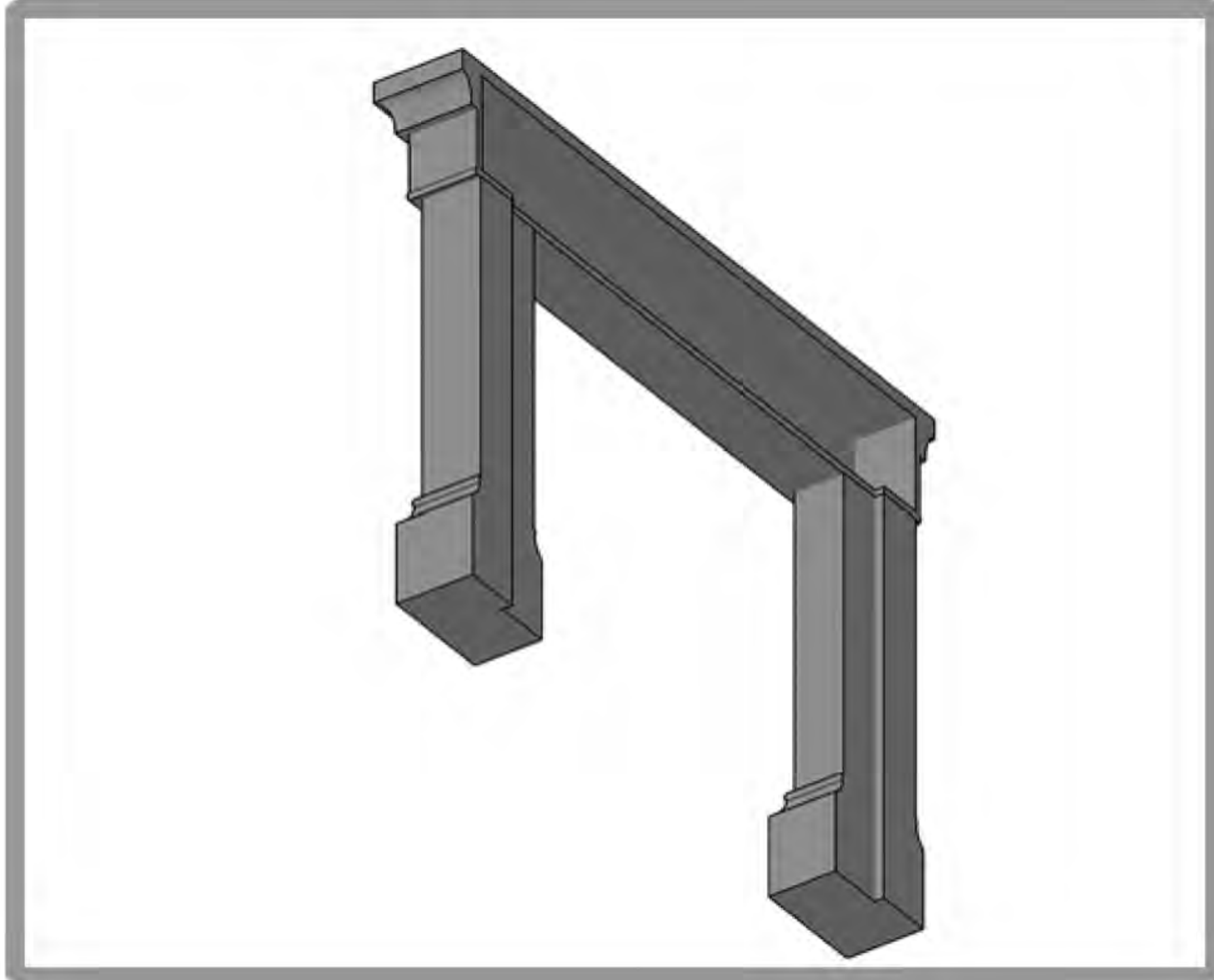
Filler Panels are used to bridge the gap between the firebox or insert opening and the fireplace surround. You can also use other materials such as marble, granite or tile to fill the area.

Our Filler Panels are made of the same material and color as the fireplace surround you order. The panels can be located at the top, sides and/or bottom of the firebox or insert opening.

We pre-trim the inside back of the fireplace surround legs and bottom back edge of the mantel shelf to accommodate the thickness of the filler panels on all of our orders. This allows the outside leg and mantel shelf to rest flush with the wall (please see images below)



FILLER PANELS



These images illustrate how the shelf and legs are pre-cut to accommodate the thickness of the filler panels.

FILLER PANELS

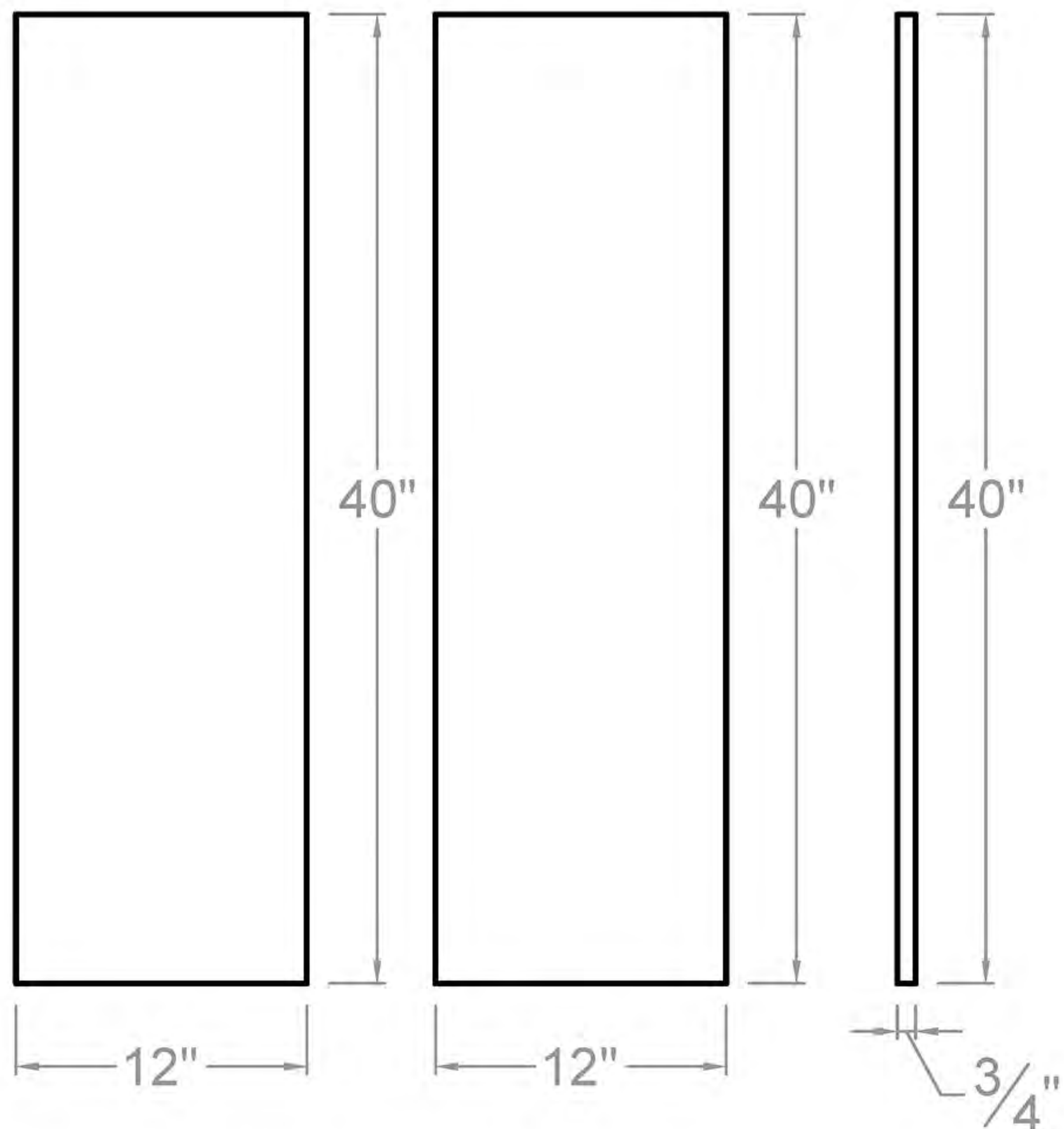


PROFILE VIEW



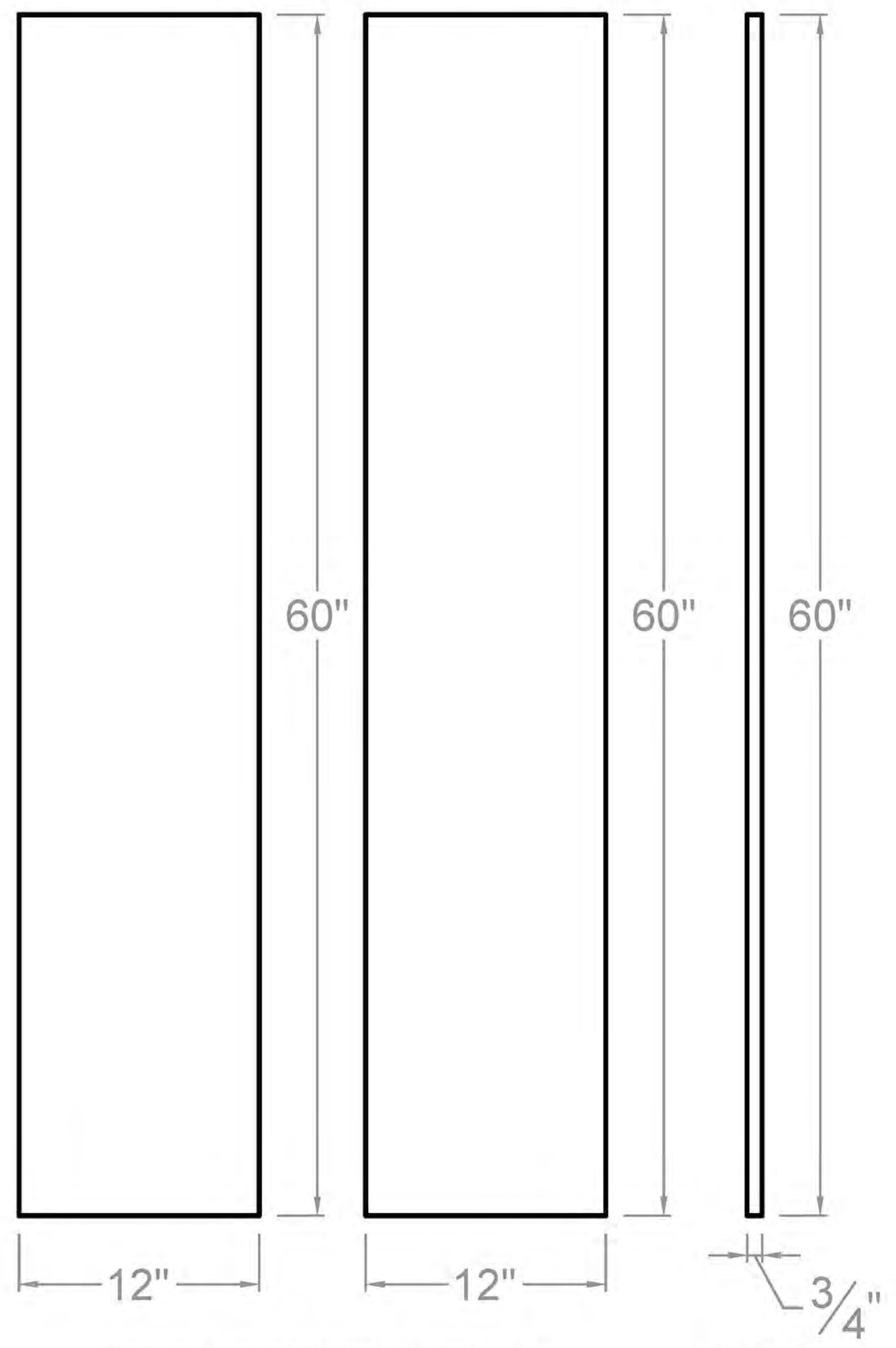
TOP & BOTTOM FILLER PANELS

SIDE FILLER PANELS



FRONT ELEVATION

SIDE



FRONT ELEVATION

SIDE